



APPLICATIONS

Test holes

Micropiles

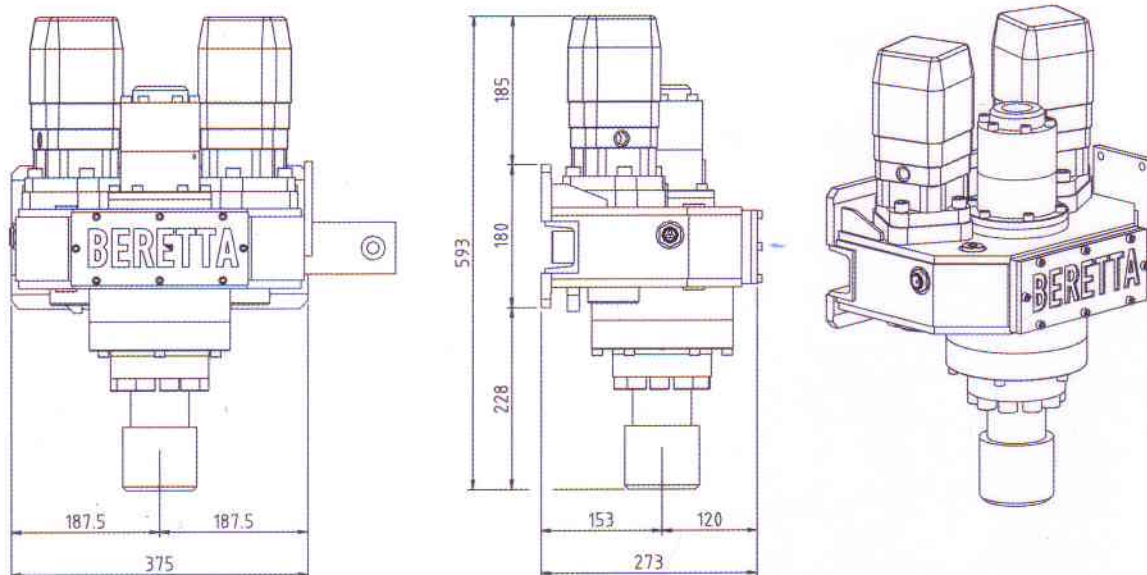
Anchoring

Restoration work

BERETTA

24 - 2V

Hydraulic Rotary Head for series 1



Technical data

| SPEED | A | | | B | | | C | | | D | | |
|----------------|------|-------|-----|------|-------|-----|------|-------|-----|------|-------|-----|
| | daNm | lb ft | RPM | daNm | lb ft | RPM | daNm | lb ft | RPM | daNm | lb ft | RPM |
| 1° | 139 | 1026 | 171 | 160 | 1181 | 137 | 210 | 1550 | 104 | 258 | 1904 | 84 |
| 2° | 70 | 517 | 343 | 80 | 590 | 274 | 105 | 775 | 208 | 129 | 952 | 168 |
| 3° optional | 28 | 207 | 600 | 32 | 236 | 515 | 42 | 310 | 391 | 51 | 376 | 316 |

| SPEED | E | | | F | | | G | | | H | | |
|----------------|------|-------|-----|------|-------|-----|------|-------|-----|------|-------|-----|
| | daNm | lb ft | RPM | daNm | lb ft | RPM | daNm | lb ft | RPM | daNm | lb ft | RPM |
| 1° | 320 | 2362 | 67 | 400 | 2952 | 54 | 484 | 3579 | 45 | 520 | 3838 | 34 |
| 2° | 160 | 1181 | 134 | 200 | 1476 | 108 | 242 | 1786 | 90 | 260 | 1919 | 68 |
| 3° optional | 65 | 480 | 250 | 80 | 590 | 203 | 97 | 716 | 168 | 104 | 768 | 127 |

ROTARY PERFORMANCES for T26 with 64 HP engine

Portata olio / Max oil feed = 75 l/min (19,80 gal/min)

Pressione massima / Max working pressure = 200 bar (2845 PSI)

Peso totale / Total weight = 105 Kg (230 lb)

BERETTA migliora costantemente i suoi prodotti riservandosi il diritto di apportare qualsiasi modifica senza preavviso nè responsabilità
 BERETTA continuously improves its products reserving the right to modify data without advance notice decling any responsibility
 Revisione depliant N. 0 - Ottobre 2010 / Brochure revision N. 0 - October 2010



Beretta Alfredo s.r.l.

20045 BESANA IN BRIANZA (MB) - ITALIA - Via Vignareto, 10
 Tel. +39 (0)362 99.53.80 r.a. - Fax +39 (0)362 99.57.08
 www.berettaalfredo.it - e-mail: info@berettaalfredo.it



ISO 9001 - Cert n. 1323