

APPLICATIONS

Test holes

Micropiles

Anchoring

Restoration work

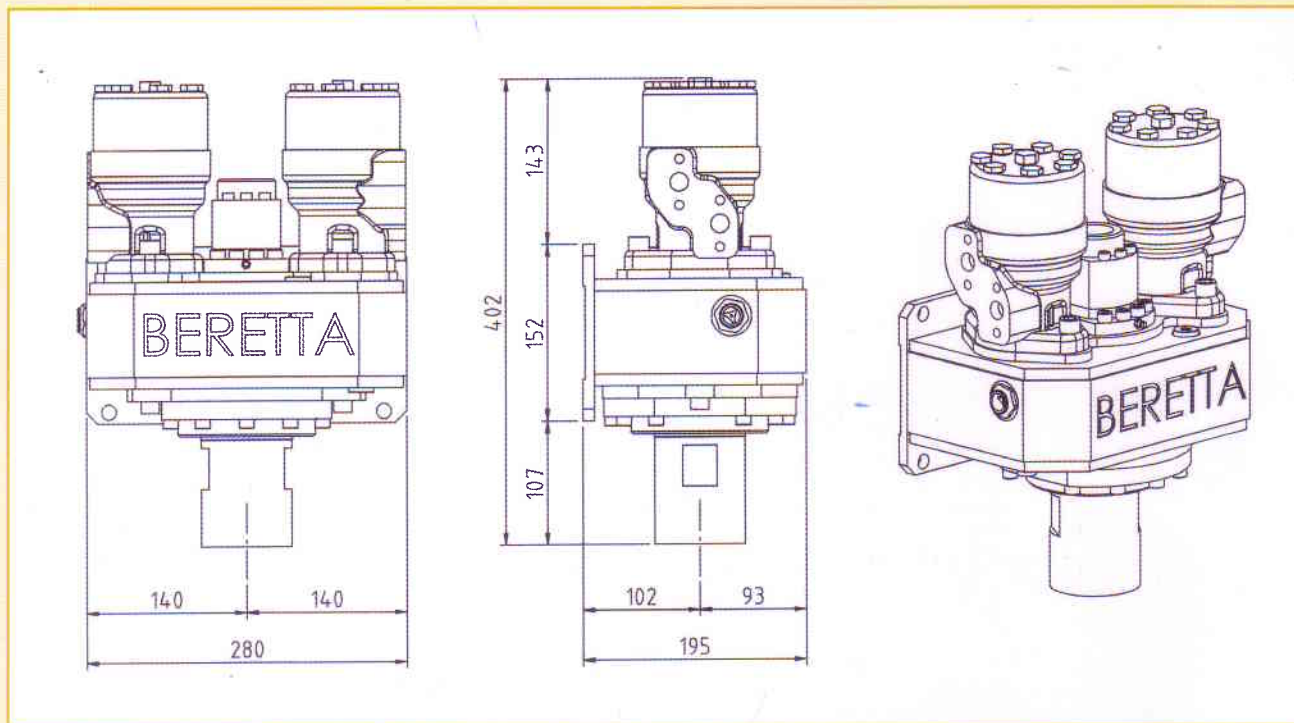
BERETTA®

Hydraulic equipment for series 2

BERETTA



22-2V



Technical data - rotary head performances for T19 with 14HP engine

Portata olio / Max oil feed = 24 l/min (6,30 gal/min) - Pressione massima / Max working pressure = 200 bar (2845 PSI)

T19	A			B			C			D			E			F			G		
SPEED	daNm	lb ft	RPM	daNm	lb ft	RPM	daNm	lb ft	RPM	daNm	lb ft	RPM	daNm	lb ft	RPM	daNm	lb ft	RPM	daNm	lb ft	RPM
1°	91	672	77	115	849	62	145	1070	49	182	1343	38	230	1697	31	287	2118	25	343	2531	20
2°	45	332	154	57	421	124	72	531	98	91	672	76	115	849	62	143	1055	50	171	1261	40
3° opt	20	148	286	23	170	230	29	214	182	36	266	141	46	339	115	57	421	93	68	502	74

Technical data - rotary head performances for T21 with 16HP engine

Portata olio / Max oil feed = 36 l/min (9,50 gal/min) - Pressione massima / Max working pressure = 200 bar (2845 PSI)

T21	A			B			C			D			E			F			G		
SPEED	daNm	lb ft	RPM	daNm	lb ft	RPM	daNm	lb ft	RPM	daNm	lb ft	RPM	daNm	lb ft	RPM	daNm	lb ft	RPM	daNm	lb ft	RPM
1°	91	672	115	115	849	93	145	1070	73	182	1343	57	230	1697	46	287	2118	38	343	2531	30
2°	45	332	231	57	421	186	72	531	147	91	672	114	115	849	92	143	1055	76	171	1262	60
3° opt	20	148	429	23	170	345	29	214	273	36	266	211	46	339	172	57	421	139	68	502	111

BERETTA migliora costantemente i suoi prodotti riservandosi il diritto di apportare qualsiasi modifica senza preavviso nè responsabilità
 BERETTA continuously improves its products reserving the right to modify data without advance notice decling any responsibility
 Revisione depliant N. 1 - Maggio 2011 / Brochure revision N. 1 - May 2011



Beretta Alfredo s.r.l.

20842 BESANA IN BRIANZA (MB) - ITALIA - Via Vignareto, 10
 Tel. +39 (0)362 99.53.80 r.a. - Fax +39 (0)362 99.57.08
 www.berettaalfredo.it - e.mail: info@berettaalfredo.it

